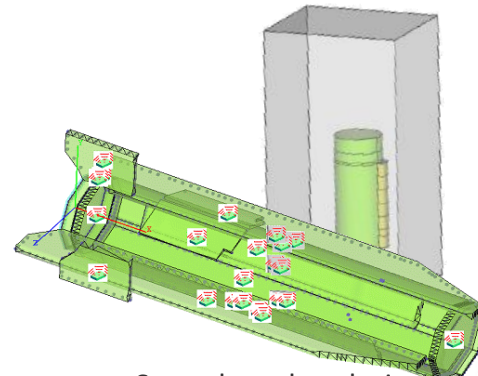
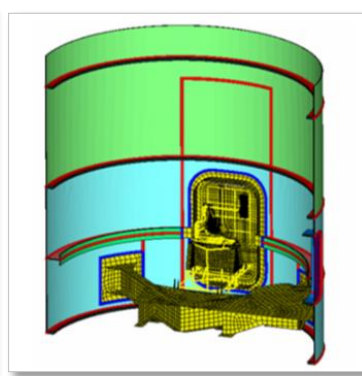




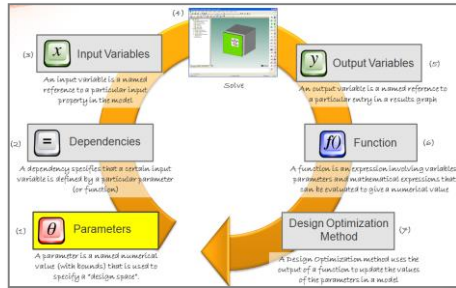
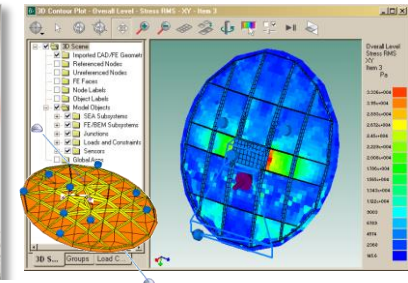
Space launcher design (ex: mars)



Space launcher design

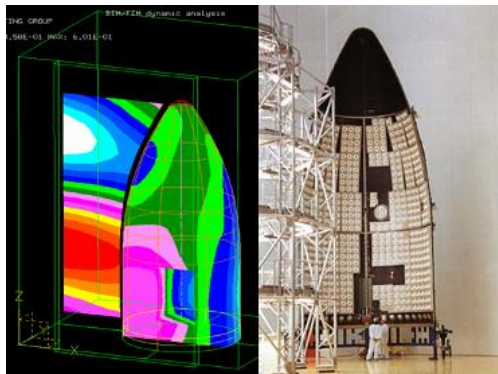


Qualification test for ribbed composite antennas

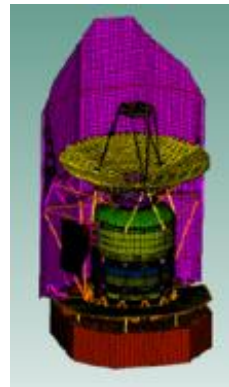


Optimization of acoustic trim in fairing

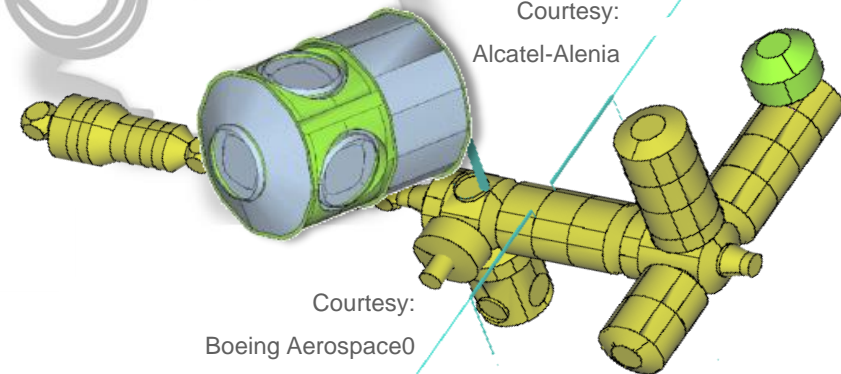
Qualification test of launcher's payload SPL



Courtesy: CNES, DaimlerChrysler



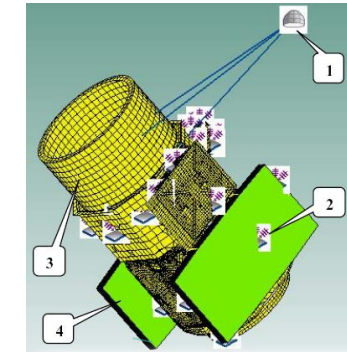
Stress recovery



International Space Station design: system and module level

Courtesy: Alcatel-Alenia

Courtesy: Boeing Aerospace0



System level satellite optimization